

Button Series

HA6600(BAS661)

1.Product Introduction



New	Original	Description
HA6601	BAS661	No Marking Plate
HA6602	/	With Marking Plate A3N11882
HA6603	/	With Marking Plate A3N16442

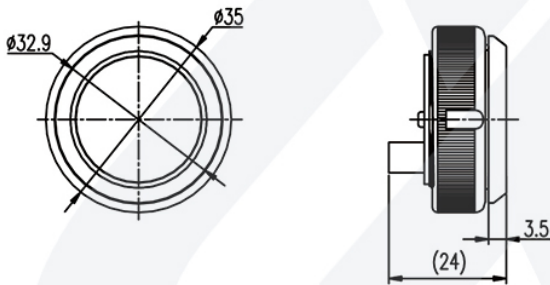


Concentric Round Hairline

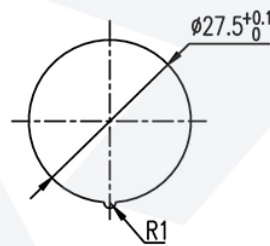


Golden Mirror

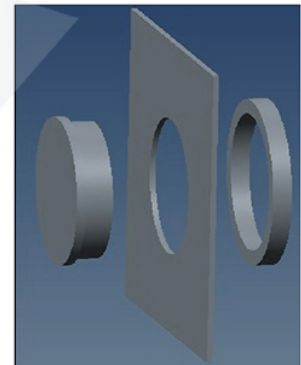
2.Outline Dimension



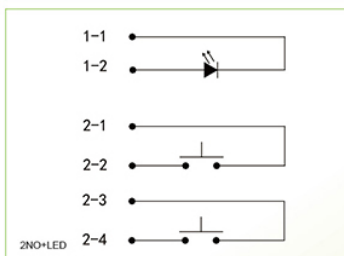
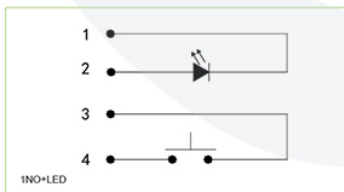
3.Cutout Dimension



4.Installation Solution



5.Electric Principle



6.Performance Parameter

1	Operation Distance : 0.3~0.6mm
2	Operation Pressure : 2.5~5N
3	Maximum Distance : 1.1mm
4	Life-span : ≥one million
5	Rated Current : 12±3mA
6	Rated Voltage : DC24V
7	For the thickness of the panel : 1.5~3mm
8	LED Colour : <input type="checkbox"/> <input type="checkbox"/> <input type="checkbox"/> <input type="checkbox"/> <input type="checkbox"/> <input type="checkbox"/>

Button Series

HA2000(BAS200)

1.Product Introduction



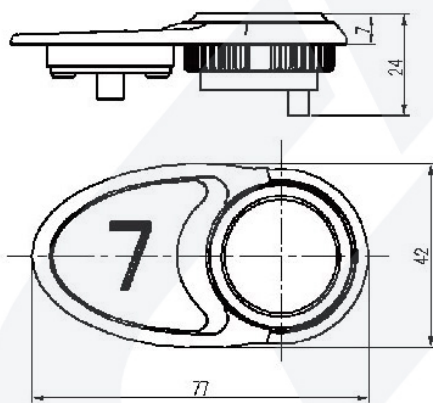
New	Original	Description
HA2001	BAS201	Protruded Marking without Braille, with HA5901
HA2002	BAS202	Protruded Marking without Braille, with HA4202
HA2003	BAS203	Protruded Marking with Braille, with HA5901
HA2004	BAS204	Protruded Marking with Braille, with HA4202
HA2005	/	Protruded Marking without Braille, with HA6601
HA2006	/	Protruded Marking with Braille, with HA6601

Function	Colour	Illumination Color
Floor	White	All Color Options Available
Alarm	Yellow	No Illumination
Telephone	Red	No Illumination

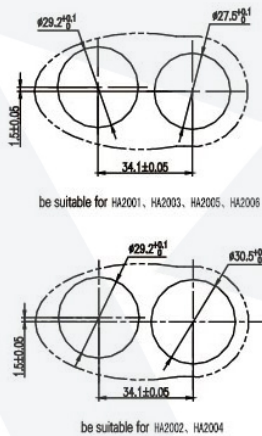
Concentric Round Hairline
 Mirror
 Golden Mirror
 Black Mirror

Note: Only Mirror Frame Available

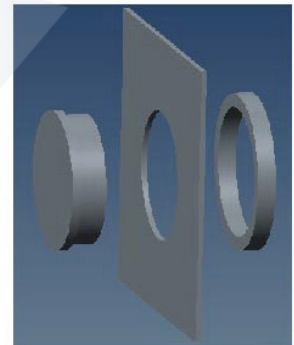
2.Outline Dimension



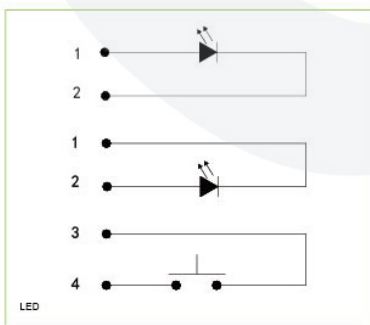
3.Cutout Dimension



4.Installation Solution



5.Electric Principle



6.Performance Parameter

1	Operation Distance : 0.4~0.6mm
2	Operation Pressure : 2.5~6N
3	Maximum Distance : 1.1mm
4	Life-span : ≥one million
5	Rated Current : 12±3mA
6	Rated Voltage : DC24V
7	For the thickness of the panel : 1.5~3mm
8	LED Colour : <input type="checkbox"/> <input type="checkbox"/> <input type="checkbox"/> <input type="checkbox"/> <input type="checkbox"/> <input type="checkbox"/>

7.Comply to:

EN81-70

Button Series

HA2100(BAS210)

1.Product Introduction

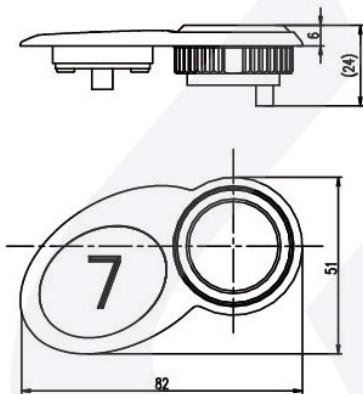


New	Original	Description
HA2101	BAS211	Protruded Plastic Marking without Braille, with HA5901
HA2102	BAS212	Protruded Plastic Marking without Braille, with HA4202
HA2103	BAS213	Protruded Plastic Marking with Braille, with HA5901
HA2104	BAS214	Protruded Plastic Marking with Braille, with HA4202
HA2105	/	Protruded Plastic Marking without Braille, with HA6601
HA2106	/	Protruded Plastic Marking with Braille, with HA6601

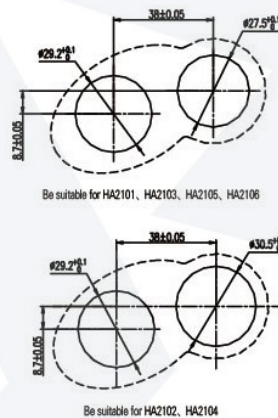
Function	Colour	Illumination Color
Floor	White	All Color Options Available
Alarm	Yellow	No Illumination
Telephone	Red	No Illumination

Concentric Round Hairline
 Mirror
 Golden Mirror
 Black Mirror
 Frame : Chrome Plating

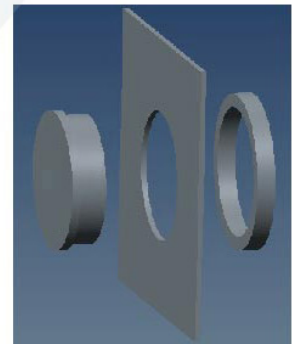
2.Outline Dimension



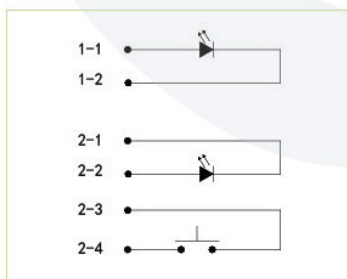
3.Cutout Dimension



4.Installation Solution



5.Electric Principle



6.Performance Parameter

1	Operation Distance : 0.4~0.6mm
2	Operation Pressure : 2.5~6N
3	Maximum Distance : 0.9~1.1mm
4	Life-span : ≥one million
5	Rated Current : 24±3mA
6	Rated Voltage : DC24V
7	For the thickness of the panel : 1.5~3mm
8	LED Colour : <input type="checkbox"/> <input type="checkbox"/> <input type="checkbox"/> <input type="checkbox"/> <input type="checkbox"/> <input type="checkbox"/>

7.Comply to: North America

Button Series

MA5800(BA580)

1.Product Introduction

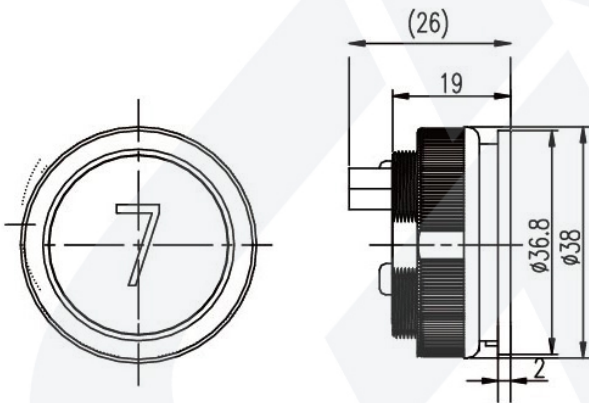


New	Original	Description
MA5801	BA581	concave Button
MA5802	BA582	Flat Button
MA5803	BA583	Protruded Button

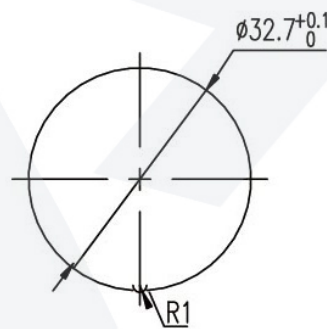
Function	Colour	Illumination Color
Floor	White	All Color Options Available
Alarm	Yellow	No Illumination
Telephone	Red	No Illumination

 Concentric Round Hairline
  Mirror
  Golden Mirror

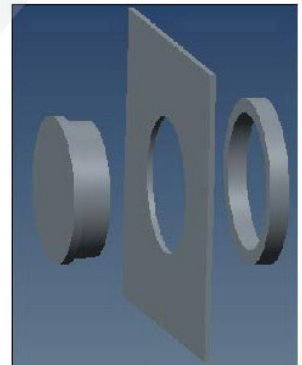
2.Outline Dimension



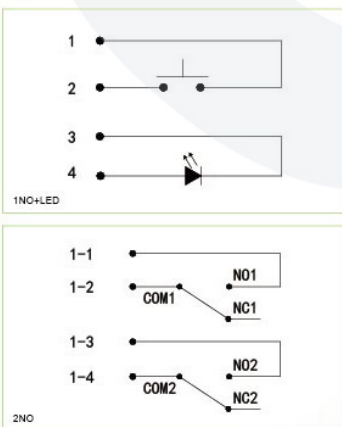
3.Cutout Dimension



4.Installation Solution



5.Electric Principle



6.Performance Parameter

1	Operation Distance : 0.3~0.6mm
2	Operation Pressure : 2.5~5N
3	Maximum Distance : 0.9~1.1mm
4	Life-span : ≥one million
5	Rated Current : 12±3mA
6	Rated Voltage : DC24V
7	For the thickness of the panel : 2~3mm
8	LED Colour : 

Button Series

HA2B00

1.Product Introduction



New	Original	Description	Apply Pane
HA2B01	/	Flat Marking without Braille	2mm
HA2B02	/	Flat Marking with Braille	2mm
HA2B03	/	Flat Marking without Braille	3mm
HA2B04	/	Flat Marking with Braille	3mm

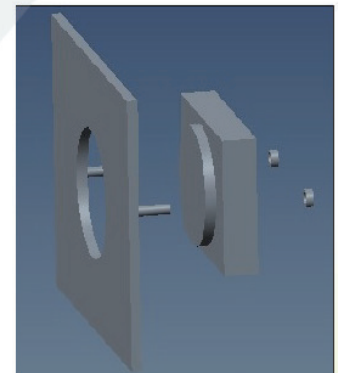
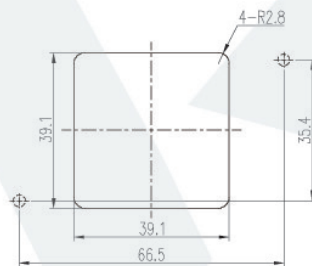
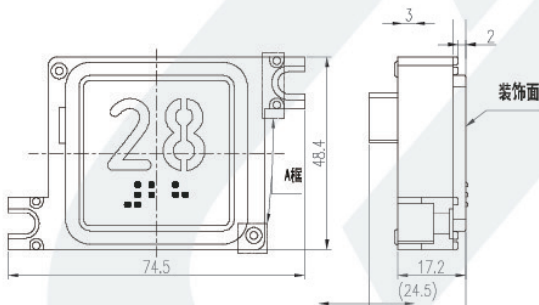
Function	Colour	Illumination
Floor	White	All Color Options Available
Alarm	Yellow	Yellow
Telephone	Red	Red

Mirror
 Hairline
 Rose Golden Mirror
 Wood grain
 Marble pattern

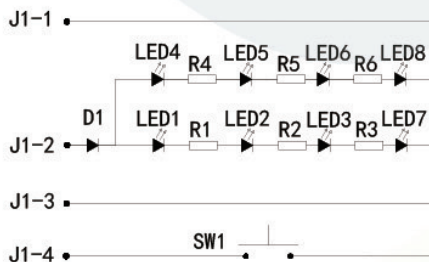
2.Outline Dimension

3.Cutout Dimension

4.Installation Solution



5.Electric Principle



6.Performance Parameter

1	Operation Distance:0.3~0.6mm
2	Operation Pressure:2.5~5N
3	Maximum Distance: 1.00mm
4	Life-span: ≥3 millions
5	Rated voltage:12±3mA
6	Rated Voltage:DC24V
7	For the thickness of the panel:2mm、 3mm
8	LED Colour:

Button Series

HA2C00

1.Product Introduction

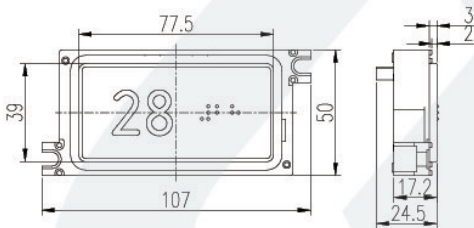


New	Original	Description	Apply Pane
HA2C01	/	Flat Marking without Braille	2mm
HA2C02	/	Flat Marking with Braille	2mm
HA2C03	/	Flat Marking without Braille	3mm
HA2C04	/	Flat Marking with Braille	3mm

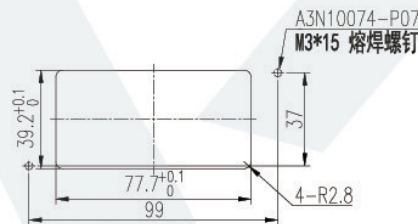
Function	Colour	Illumination
Floor	White	All Color Options Available
Alarm	Yellow	Yellow
Telephone	Red	Red

Mirror
 Hairline
 Rose Golden Mirror
 Wood grain
 Marble pattern

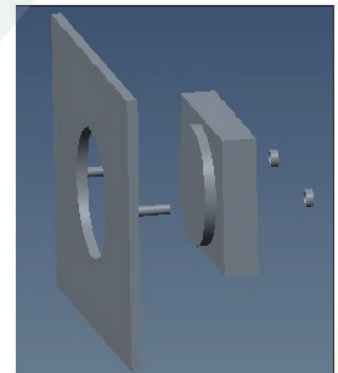
2.Outline Dimension



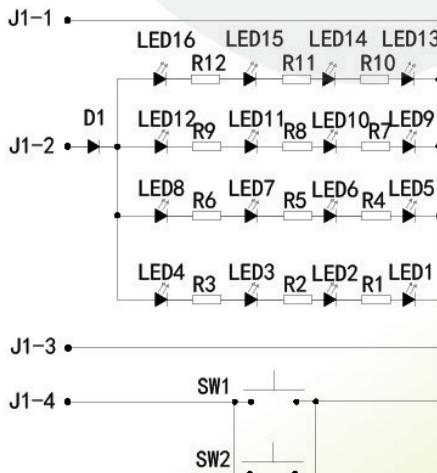
3.Cutout Dimension



4.Installation Solution



5.Electric Principle



6.Performance Parameter

1	Operation Distance:0.4~0.8mm
2	Operation Pressure:3~7N
3	Maximum Distance: 1.00mm
4	Life-span: ≥3 millions
5	Rated voltage:48±3mA
6	Rated Voltage:DC24V
7	For the thickness of the panel:2mm、3mm
8	LED Colour :

Button Series

HA2D00

1.Product Introduction

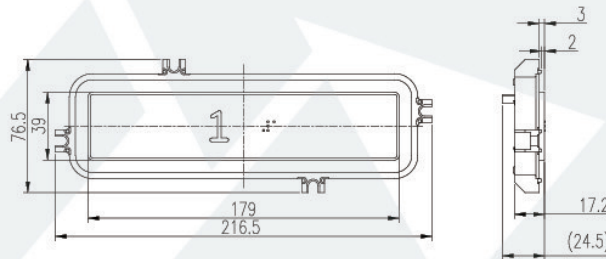


New	Original	Description	Apply Pane
HA2D01	/	Flat Marking without Braille	2mm
HA2D02	/	Flat Marking with Braille	2mm
HA2D03	/	Flat Marking without Braille	3mm
HA2D04	/	Flat Marking with Braille	3mm

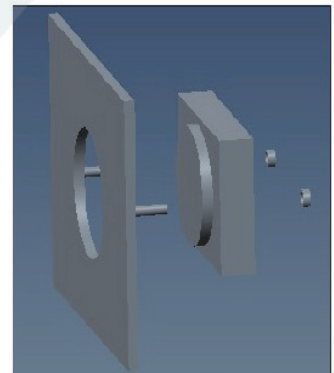
Function	Colour	Illumination
Floor	White	All Color Options Available
Alarm	Yellow	Yellow
Telephone	Red	Red

Mirror
 Hairline
 Rose Golden Mirror
 Wood grain
 Marble pattern

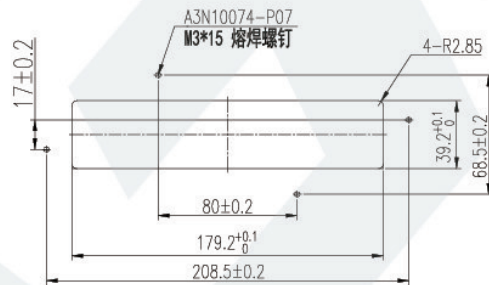
2.Outline Dimension



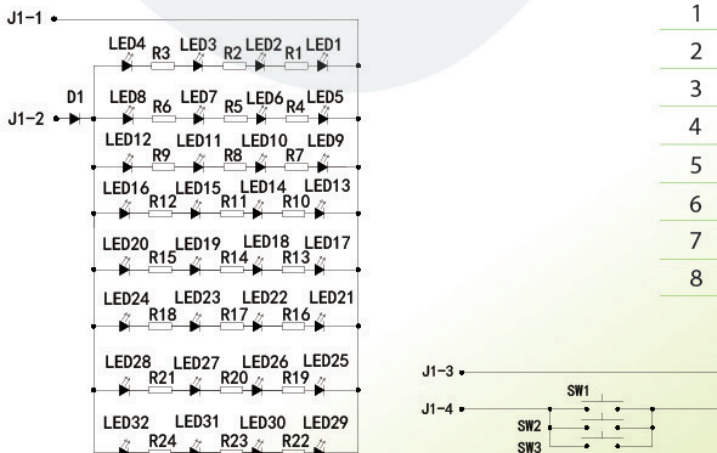
4.Installation Solution



3.Cutout Dimension



5.Electric Principle



6.Performance Parameter

1	Operation Distance:0.6~1.2mm
2	Operation Pressure:5~10N
3	Maximum Distance: 1.00mm
4	Life-span: ≥3 millions
5	Rated voltage:96±3mA
6	Rated Voltage:DC24V
7	For the thickness of the panel:2mm、3mm
8	LED Colour :

Button Series

HA2S00

1.Product Introduction



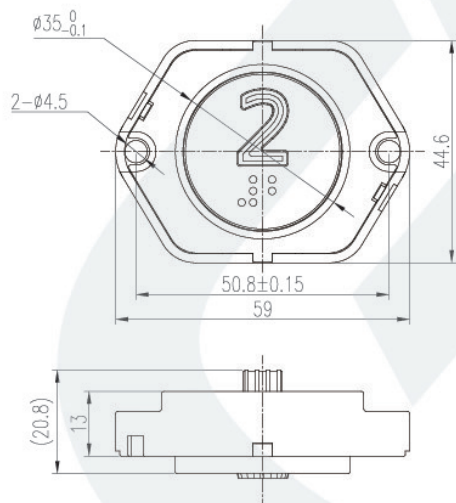
- Collision avoidance (level 2)
- Prevent damage
- Waterproof (IP33)
- Fire (V0)

New	Original	Description
HA2S01	/	Salient impact wear with braille characters, anti-collision button

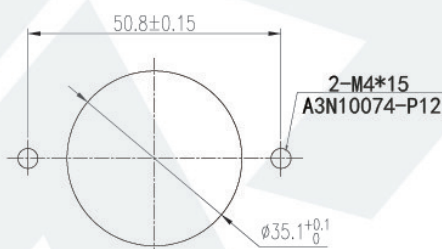
Button function	Character	Light color
Floor	White	Any color is optional
Alarm	Yellow	Yellow /No Shine
Phone	Red	Red /No Shine

- Hairline
- Mirror

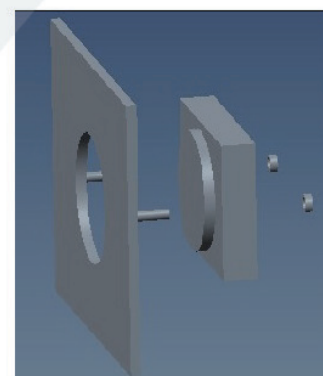
2.Outline Dimension



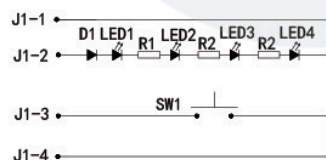
3.Cutout Dimension



4.Installation Solution



5.Electric Principle



6.Performance Parameter

1	Operation Distance : 0.3~0.6mm
2	Operation Pressure : 6~9N
3	Maximun Distance : 1.00mm
4	Life-span : ≥300万次
5	Rated Current : 12mA±3mA
6	Rated Voltage : DC24V
7	For the thickness of the panel : 2mm、3mm
8	LED Colour : <input type="checkbox"/> <input type="checkbox"/> <input type="checkbox"/> <input type="checkbox"/> <input type="checkbox"/> <input type="checkbox"/>

7.Comply to:

EN 81-71

Button Series

EA2400(BAS240)

1.Product Introduction

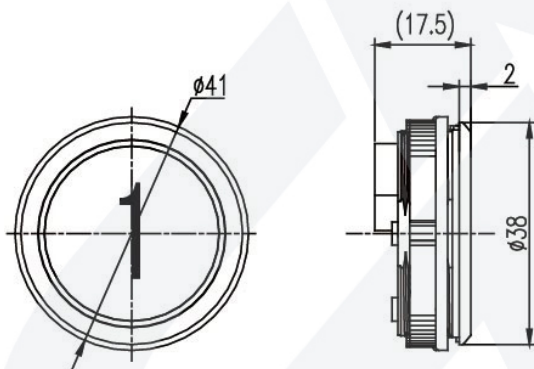


New	Original	Description
EA2401	BAS241	Flat Marking without Braille
EA2402	BAS242	Flat Marking with Braille
EA2403	BAS243	Protruded Marking without Braille
EA2404	BAS244	Protruded Marking with Braille
EA2405	BAS245	Punching Protruded Marking without Braille
EA2406	BAS246	Punching Protruded Marking with Braille

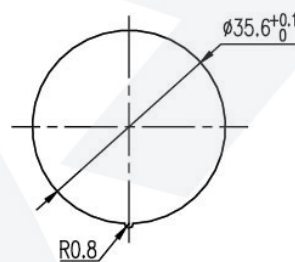
Function	Colour	Illumination Color
Floor	White	All Color Options Available
Alarm	Yellow	No Illumination
Telephone	Red	No Illumination

 Concentric Round Hairline
  Mirror
  Golden Mirror

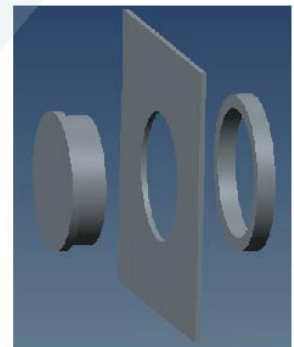
2.Outline Dimension



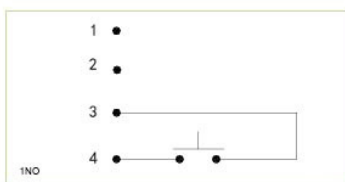
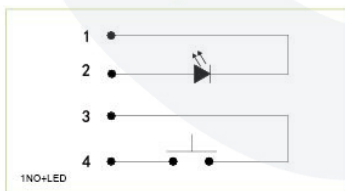
3.Cutout Dimension



4.Installation Solution




5.Electric Principle



6.Performance Parameter

1	Operation Distance : 0.3~0.6mm
2	Operation Pressure : 2.5~5N
3	Maximum Distance : 0.9~1.1mm
4	Life-span : ≥three millions
5	Rated Current : 12±3mA
6	Rated Voltage : DC24V
7	For the thickness of the panel : 1.5~3mm
8	LED Colour : <input type="checkbox"/> <input type="checkbox"/> <input type="checkbox"/> <input type="checkbox"/> <input type="checkbox"/> <input type="checkbox"/>

7.Comply to:

 EN81-70

Button Series

MA2D00

1.Product Introduction

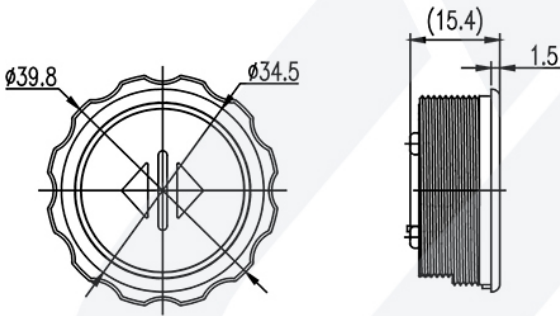


New	Original	Description
MA2D01	/	Flat Marking without Braille
MA2D02	/	Flat Marking with Braille

Function	Colour	Illumination Color
Floor	White	All Color Options Available
Alarm	Yellow	No Illumination
Telephone	Red	No Illumination

Straight Hairline
 Mirror
 Concentric Round Hairline

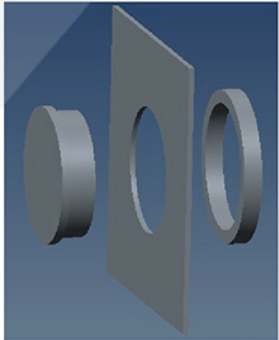
2.Outline Dimension



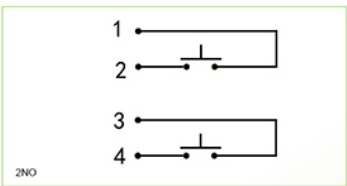
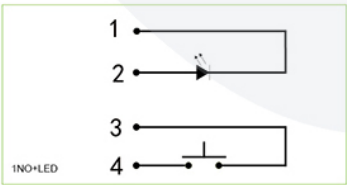
3.Cutout Dimension



4.Installation Solution



5.Electric Principle



6.Performance Parameter

1	Operation Distance : 0.3~0.6mm
2	Operation Pressure : 2.5~5N
3	Maximum Distance : 1mm
4	Life-span : ≥one million
5	Rated Current : 12±3mA
6	Rated Voltage : DC24V
7	For the thickness of the panel : 1~3mm
8	LED Colour :

Button Series

EA3000(KA301/2)

1.Product Introduction



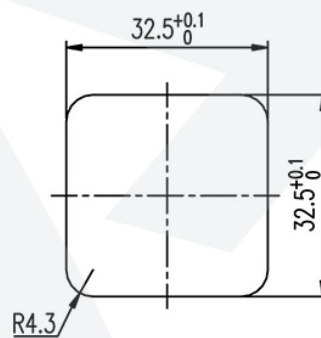
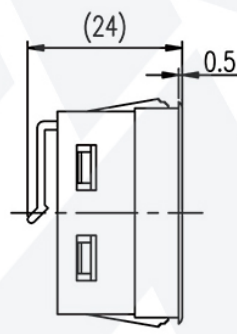
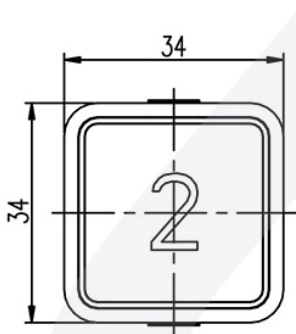
New	Original	Description
EA3001	KA301	Flat Marking without Braille
EA3002	KA302	Flat Marking with Braille

Function	Colour	Illumination Color
Floor	White	All Color Options Available
Alarm	Yellow	No Illumination
Telephone	Red	No Illumination

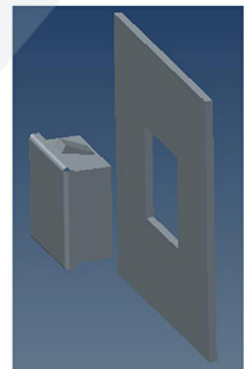
Straight Hairline
 Mirror
 Golden Mirror
 Satin

Frame : Mirror

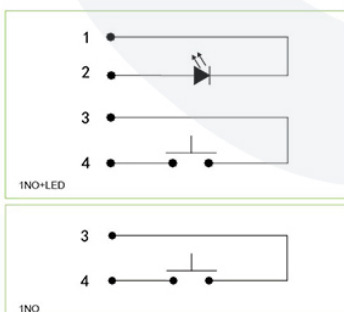
2.Outline Dimension



4.Installation Solution



5.Electric Principle



6.Performance Parameter

1	Operation Distance : 0.3~0.6mm
2	Operation Pressure : 4~6N
3	Maximum Distance : 0.9~1.1mm
4	Life-span : ≥three millions
5	Rated Current : 12±3mA
6	Rated Voltage : DC12V , DC24V
7	For the thickness of the panel : 2mm、3mm
8	LED Colour : <input type="checkbox"/> <input type="checkbox"/> <input type="checkbox"/> <input type="checkbox"/> <input type="checkbox"/> <input type="checkbox"/> <input type="checkbox"/> <input type="checkbox"/>

Button Series

HA2300(BA230)

1.Product Introduction

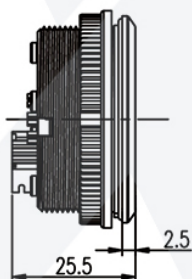


New	Original	Description
HA2301	BAS231	Protruded Transparent Marking with Braille
HA2302	BAS231	Protruded Non-transparent Marking with Braille
HA2303	BAS232	Protruded Transparent Marking without Braille
HA2304	BAS232	Protruded Non-transparent Marking without Braille
HA2305	BAS233	Flat Transparent Marking with Braille
HA2306	BAS233	Flat Non-transparent Marking with Braille
HA2307	BAS234	Flat Transparent Marking without Braille
HA2308	BAS234	Flat Non-transparent Marking without Braille

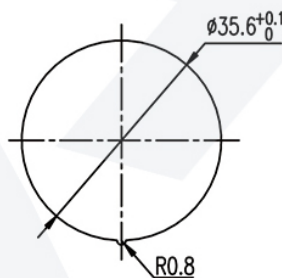
Model	Function	Colour	Illumination Color
HA2301	Floor	White	All Color Options Available
HA2303	Alarm	Yellow	Yellow
HA2305	Telephone	Red	Red
HA2302	Floor	Black	All Color Options Available
HA2304	Alarm	Yellow	Yellow
HA2306	Telephone	Red	Red

Straight Hairline
 Concentric Round Hairline
 Mirror
 Golden Mirror

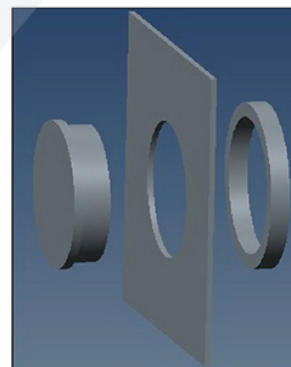
2.Outline Dimension



3.Cutout Dimension



4.Installation Solution



5.Electric Principle



6.Performance Parameter

1	Operation Distance : 0.3~0.6mm
2	Operation Pressure : 3.5~6.5N
3	Maximum Distance : 1mm
4	Life-span : ≥three millions
5	Rated Current : 7±2mA
6	Rated Voltage : DC24V
7	For the thickness of the panel : 1.5~3mm
8	LED Colour : <input type="checkbox"/> <input checked="" type="checkbox"/> <input type="checkbox"/> <input type="checkbox"/> <input type="checkbox"/> <input type="checkbox"/>

7.Comply to: EN81-70 , AS1735

Comply with Anti-vandalism Standard, Pass IP65 Test

Button Series

MA2J00

1.Product Introduction



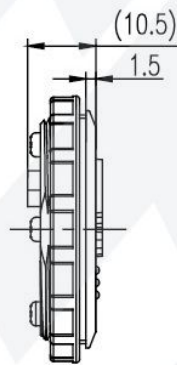
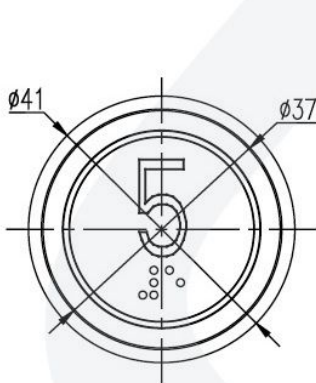
New	Original	Description
MA2J01	/	Flat Marking without Braille
MA2J02	/	Flat Marking with Braille
MA2J03	/	Protruded Marking with Braille

Function	Colour	Illumination Color
Floor	White	All Color Options Available
Alarm	Yellow	No Illumination
Telephone	Red	No Illumination

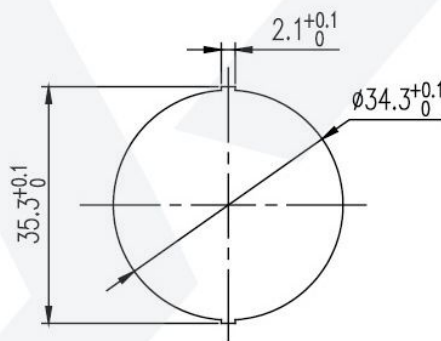
Surface treatment:

- Mirror
- Golden Mirror
- Concentric Round Hairline

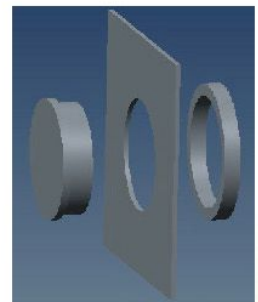
2.Outline Dimension



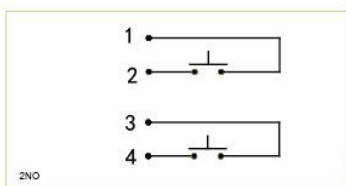
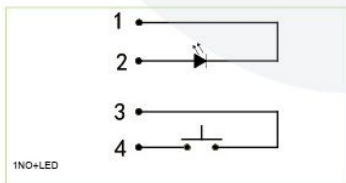
3.Cutout Dimension



4.Installation Solution



5.Electric Principle



6.Performance Parameter

1	Operation Distance : 0.3~0.6mm
2	Operation Pressure : 3~6N
3	Maximum Distance : 1mm
4	Life-span : \geq one million
5	Rated Current : 12 ± 3 mA(P01-P03), 7 ± 3 mA(P04-P06)
6	Rated Voltage : DC24V
7	For the thickness of the panel : 1.5~3mm
8	LED Colour : <input type="checkbox"/> <input type="checkbox"/> <input type="checkbox"/> <input type="checkbox"/> <input type="checkbox"/> <input type="checkbox"/>

Button Series

MA2K00

1.Product Introduction

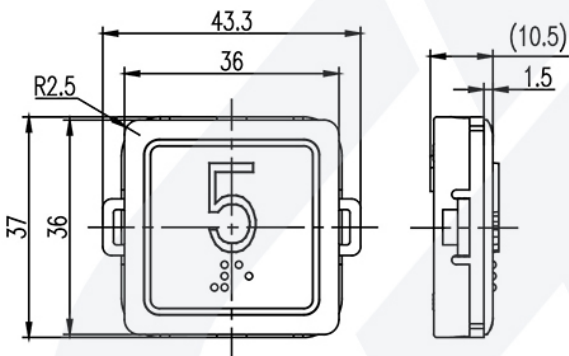


New	Original	Description
MA2K01	/	Flat Marking without Braille
MA2K02	/	Flat Marking with Braille
MA2K03	/	Protruded Marking with Braille

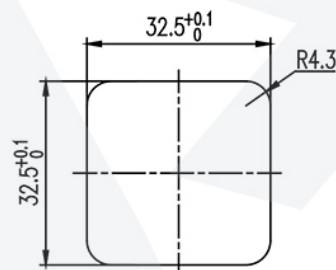
Function	Colour	Illumination Color
Floor	Blue	All Color Options Available
Alarm	Yellow	No Illumination
Telephone	Red	No Illumination

○ Straight Hairline ○ Mirror ● Golden Mirror

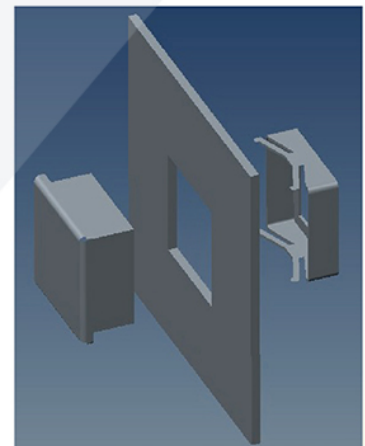
2.Outline Dimension



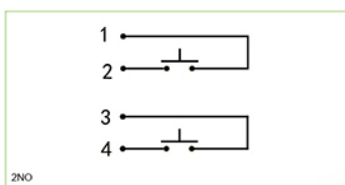
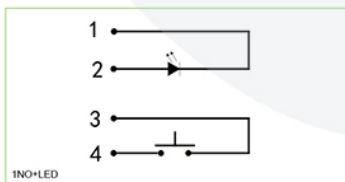
3.Cutout Dimension



4.Installation Solution



5.Electric Principle



6.Performance Parameter

1	Operation Distance : 0.3~0.6mm
2	Operation Pressure : 2.5~5N
3	Maximum Distance : 1.1mm
4	Life-span : ≥three millions
5	Rated Current : 12±3mA
6	Rated Voltage : DC24V
7	For the thickness of the panel : 1mm, 2mm, 3mm
8	LED Colour : □ ■ ■ ■ ■ ■

Button Series

MA2G00

1.Product Introduction

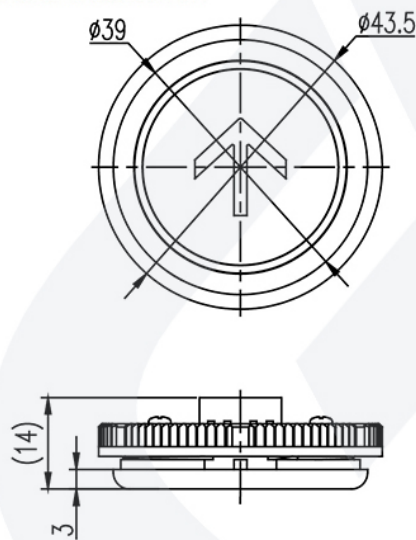


New	Original	Description
MA2G01	/	Flat Marking without Braille
MA2G02	/	Flat Marking with Braille

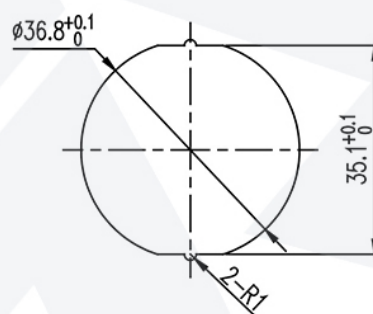
Function	Colour	Illumination Color
Floor	Blue	White
Alarm	Yellow	No Illumination
Telephone	Red	No Illumination

Mirror
 Golden Mirror
 Concentric Round Hairline

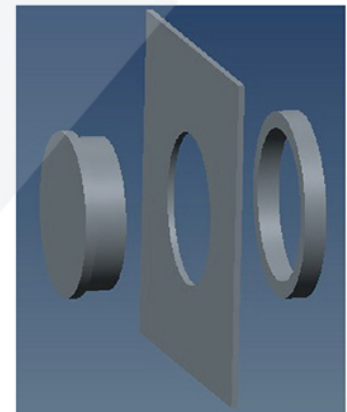
2.Outline Dimension



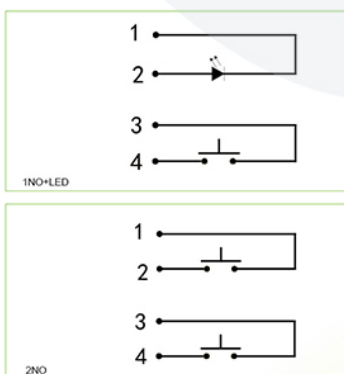
3.Cutout Dimension



4.Installation Solution



5.Electric Principle



6.Performance Parameter

1	Operation Distance : 0.3~0.6mm
2	Operation Pressure : 1~6N
3	Maximum Distance : 1.1mm
4	Life-span : \geq three millions
5	Rated Current : 12 ± 3 mA
6	Rated Voltage : DC24V
7	For the thickness of the panel : 1~3mm
8	LED Colour : <input type="checkbox"/> <input type="checkbox"/> <input type="checkbox"/> <input type="checkbox"/> <input type="checkbox"/> <input type="checkbox"/>

Button Series

MA1000(BAS100)

1.Product Introduction

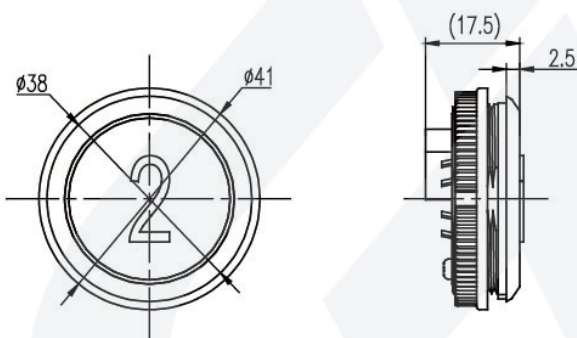


New	Original	Description
MA1001	BAS100	Flat Marking without Braille
MA1002	BAS100	Flat Marking with Braille
MA1003	BAS100	Protruded Marking without Braille
MA1004	BAS100	Protruded Marking with Braille
MA1005	BAS100	Punching Protruded Marking without Braille
MA1006	BAS100	Punching Protruded Marking with Braille

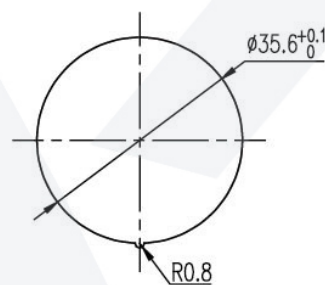
Function	Colour	Illumination Color
Floor	White	All Color Options Available
Alarm	Yellow	No Illumination
Telephone	Red	No Illumination

Concentric Round Hairline
 Mirror
 Golden Mirror

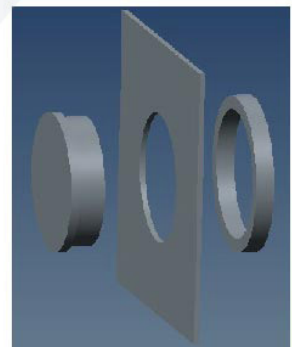
2.Outline Dimension



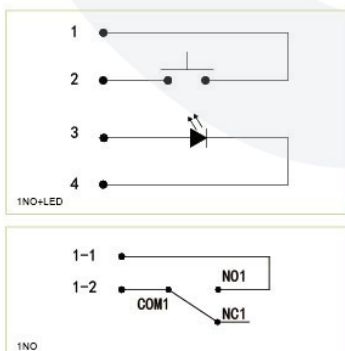
3.Cutout Dimension



4.Installation Solution



5.Electric Principle



6.Performance Parameter

1	Operation Distance : 0.3~0.6mm
2	Operation Pressure : 2.5~5N
3	Maximum Distance : 0.9~1.1mm
4	Life-span : ≥three millions
5	Rated Current : 12±3mA
6	Rated Voltage : DC24V
7	For the thickness of the panel : 1.5~3mm
8	LED Colour : <input type="checkbox"/> <input type="checkbox"/> <input type="checkbox"/> <input type="checkbox"/> <input type="checkbox"/> <input type="checkbox"/>

7.Comply to:

EN81-70

Button Series

HA1500

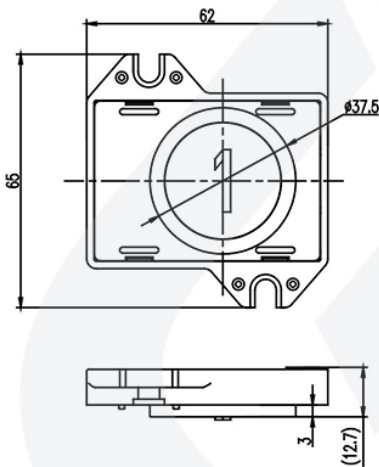
1.Product Introduction



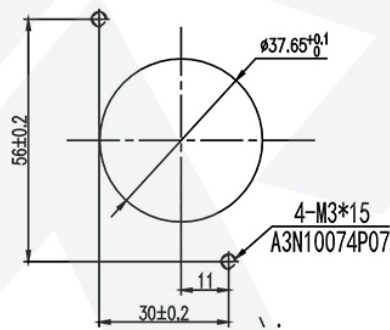
New	Original	Description
HA1501	/	Flat Marking without Braille,Apply 2 mm panel
HA1502	/	Flat Marking with Braille,Apply 2 mm panel
HA1503	/	Protruded Marking without Braille,Apply 2 mm panel
HA1504	/	Protruded Marking with Braille,Apply 2 mm panel
HA1505	/	Punching Protruded Marking without Braille,Apply 2 mm panel
HA1506	/	Punching Protruded Marking with Braille,Apply 2 mm panel
HA1507	/	Flat Marking without Braille,Apply 3 mm panel
HA1508	/	Flat Marking with Braille,Apply 3 mm panel
HA1509	/	Protruded Marking without Braille,Apply 3 mm panel
HA1510	/	Protruded Marking with Braille,Apply 3 mm panel
HA1511	/	Punching Protruded Marking without Braille,Apply 3 mm panel
HA1512	/	Punching Protruded Marking with Braille,Apply 3 mm panel

Concentric Round Hairline
 Mirror
 Golden Mirror

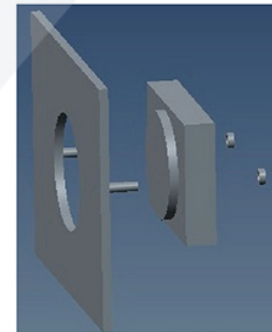
2.Outline Dimension



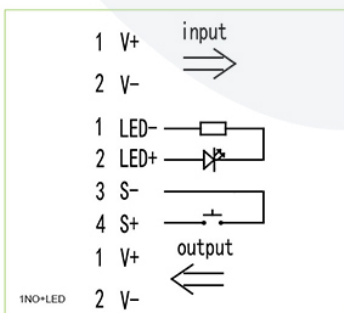
3.Cutout Dimension



4.Installation Solution



5.Electric Principle



6.Performance Parameter

1	Rated Voltage : DC18V~36V
2	Operating humidity : -10°C~60°C
3	Humidity : <90%
4	Induction Area : diameter
5	For the thickness of the panel : 2mm、3mm
6	LED Colour :

Button Series

MA1800(BAS180)

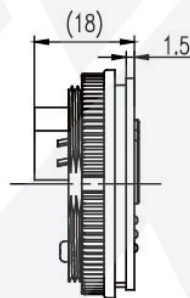
1.Product Introduction



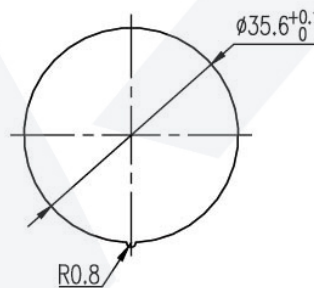
New	Original	Description
MA1801	BAS181	Protruded Marking with Braille, Marking with Illumination
MA1802	BAS181	Protruded Marking with Braille, Marking without Illumination
MA1803	BAS182	Protruded Marking without Braille, Marking with Illumination
MA1804	BAS182	Protruded Marking without Braille, Marking without Illumination
MA1805	BAS183	Flat Marking with Braille, Marking with Illumination
MA1806	BAS183	Flat Marking with Braille, Marking without Illumination
MA1807	BAS184	Flat Marking without Braille, Marking with Illumination
MA1808	BAS184	Flat Marking without Braille, Marking without Illumination
Function	Colour	Illumination Color
Floor	White/Black	All Color Options Available
Alarm	Yellow	No Illumination
Telephone	Red	No Illumination

Concentric Round Hairline
 Mirror
 Golden Mirror
 Straight Hairline

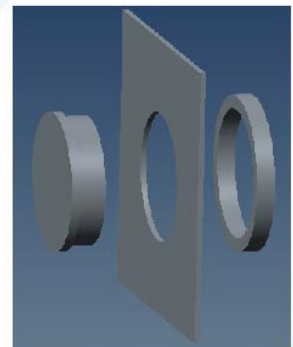
2.Outline Dimension



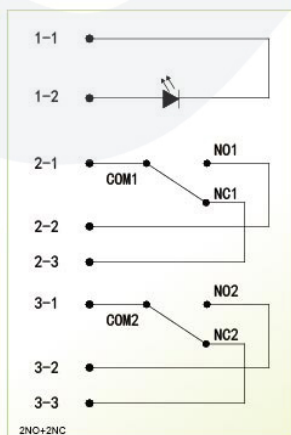
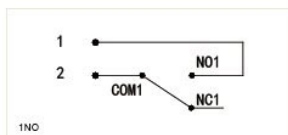
3.Cutout Dimension



4.Installation Solution



5.Electric Principle



6.Performance Parameter

1	Operation Distance : 0.3~0.6mm
2	Operation Pressure : 2.5~5N
3	Maximum Distance : 0.9~1.1mm
4	Life-span : ≥three millions
5	Rated Current : 12±3mA
6	Rated Voltage : DC24V
7	For the thickness of the panel : 1.5~3mm
8	LED Colour :

7.Comply to:

EN81-70

Button Series

MA1300(BAS12B)

1.Product Introduction

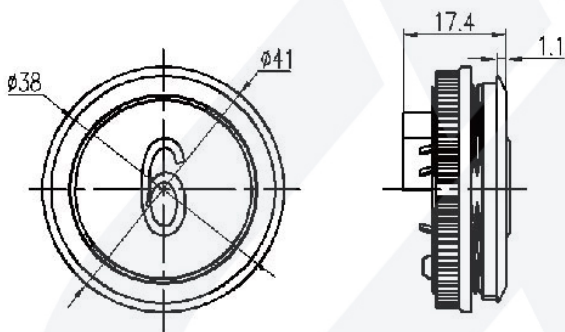


New	Original	Description
MA1301	BAS12B	Flat Marking without Braille
MA1302	BAS12B	Flat Marking with Braille
MA1303	BAS12B	Protruded Marking without Braille
MA1304	BAS12B	Protruded Marking with Braille
MA1305	BAS12B	Punching Protruded Marking without Braille
MA1306	BAS12B	Punching Protruded Marking with Braille

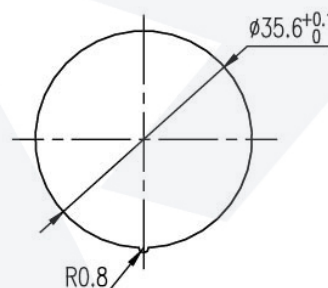
Function	Colour	Illumination Color
Floor	White	All Color Options Available
Alarm	Yellow	No Illumination
Telephone	Red	No Illumination

Concentric Round Hairline
 Mirror
 Golden Mirror

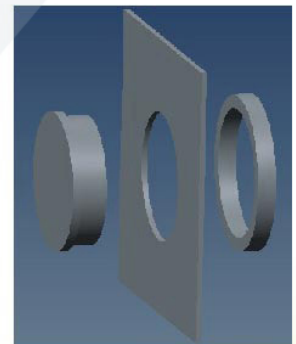
2.Outline Dimension



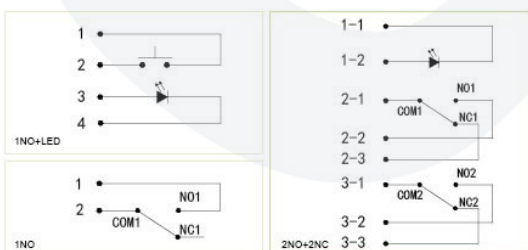
3.Cutout Dimension



4.Installation Solution



5.Electric Principle



6.Performance Parameter

1	Operation Distance : 0.3~0.6mm
2	Operation Pressure : 2.5~5N
3	Maximum Distance : 0.9~1.1mm
4	Life-span : ≥three millions
5	Rated Current : 12±3mA
6	Rated Voltage : DC24V
7	For the thickness of the panel : 1.5~3mm
8	LED Colour :

7.Comply to:

EN81-70

Button Series

KAS930

1.Product Introduction

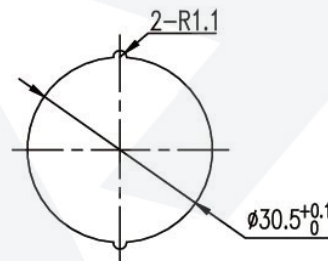
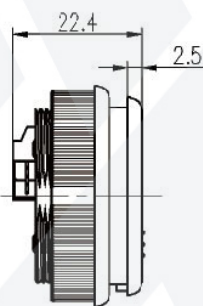
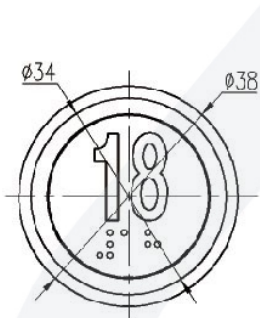


New	Original	Description
KAS931	/	Flat Marking with Braille
KAS932	/	Flat Marking without Braille
KAS933	/	Protruded Marking with Braille

Function	Colour	Illumination Color
Floor	White	White
Alarm	Yellow	Yellow
Telephone	Red	Red

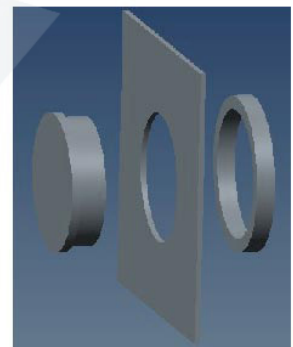
Straight Hairline
 Mirror
 Golden Mirror

2.Outline Dimension

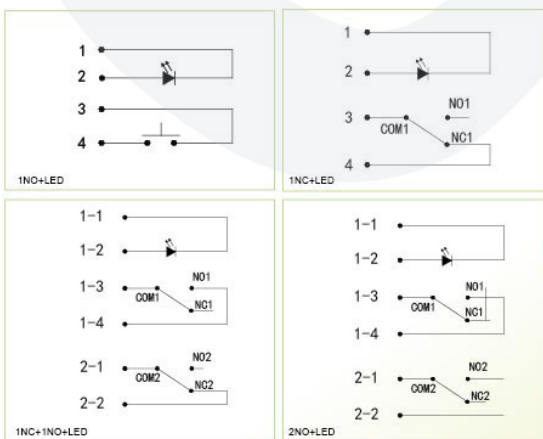


3.Cutout Dimension

4.Installation Solution



5.Electric Principle



6.Performance Parameter

1	Operation Distance : 0.3~0.6mm
2	Operation Pressure : 2.5~5N
3	Maximum Distance : 0.9~1.1mm
4	Life-span : ≥one million
5	Rated Current : 12±3mA
6	Rated Voltage : DC24V
7	For the thickness of the panel : 1~5mm
8	LED Colour : <input type="checkbox"/> <input type="checkbox"/> <input type="checkbox"/> <input type="checkbox"/> <input type="checkbox"/> <input type="checkbox"/>

Button Series

HA1400(BAS141)

1.Product Introduction

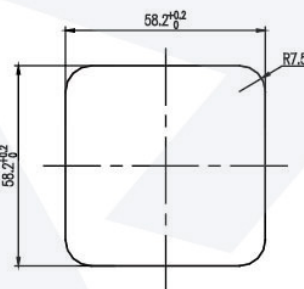
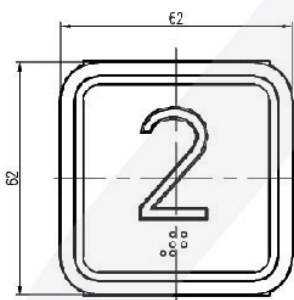


New	Original	Description
HA1401	BAS141	Flat Marking without Braille
HA1402	BAS141	Flat Marking with Braille
HA1403	BAS141(HUNDRED)	Protruded Marking without Braille
HA1404	BAS141	Protruded Marking with Braille

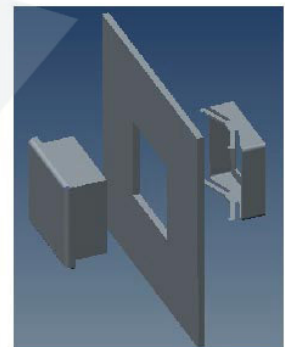
Function	Colour	Illumination Color
Floor	White	All Color Options Available(Buzzer Option Available)
Alarm	Yellow	Yellow(Buzzer Option Available)

- Original Hairline
- Mirror
- Golden Mirror

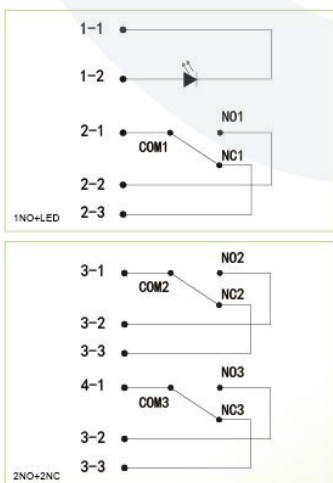
2.Outline Dimension



4.Installation Solution



5.Electric Principle



6.Performance Parameter

1	Operation Distance : 0.5~1.2mm
2	Operation Pressure : 4~8N
3	Maximum Distance : 1.6mm
4	Life-span : ≥one million
5	Rated Current : 60±5mA
6	Rated Voltage : DC24V
7	For the thickness of the panel : 1.5~3mm
8	LED Colour :

Button Series

MA1500

1.Product Introduction

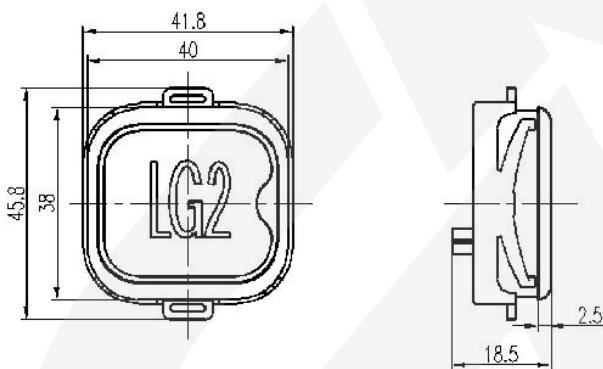


New	Original	Description
MA1501	/	Flat Marking without Braille(thwart)
MA1502	/	Flat Marking with Braille(thwart)
MA1503	/	Protruded Marking with Braille(thwart)
MA1504	/	Flat Marking without Braille(vertical)
MA1505	/	Flat Marking with Braille(vertical)
MA1506	/	Protruded Marking with Braille(vertical)

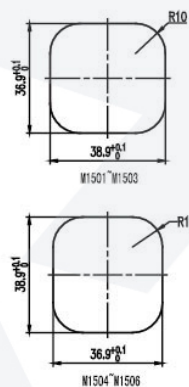
Function	Colour	Illumination Color
Floor	White	All Color Options Available
Alarm	Yellow	Yellow
Telephone	Red	Red

Straight Hairline
 Pearlescent Plate
 Mirror
 Golden Mirror

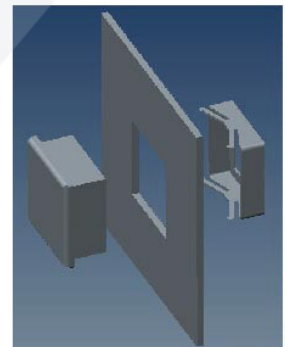
2.Outline Dimension



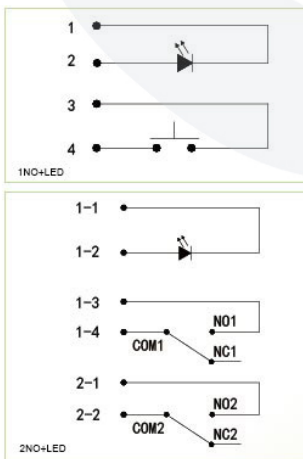
3.Cutout Dimension



4.Installation Solution



5.Electric Principle



6.Performance Parameter

1	Operation Distance : 0.3~0.6mm
2	Operation Pressure : 2.5~5N
3	Maximum Distance : 0.9~1.2mm
4	Life-span : ≥three millions
5	Rated Current : 12±3mA
6	Rated Voltage : DC24V
7	For the thickness of the panel : 1.5~3mm
8	LED Colour : <input type="checkbox"/> <input type="checkbox"/> <input type="checkbox"/> <input type="checkbox"/> <input type="checkbox"/> <input type="checkbox"/>

7.Comply to:

EN 81-70

Button Series

MA1Z02

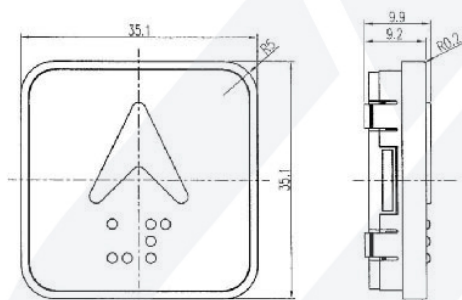
1.Product Introduction



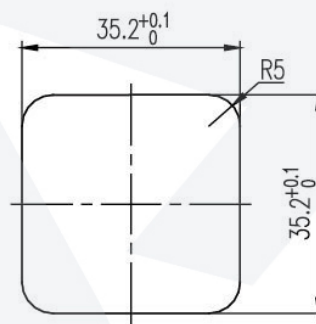
New	Original	Description
MA1Z02	/	Protruded Marking with Braille
Function	Colour	Illumination Color
Call Button	White	All Color Options Available

Hairline st-st

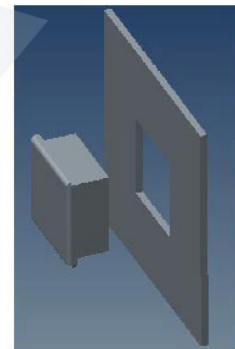
2.Outline Dimension



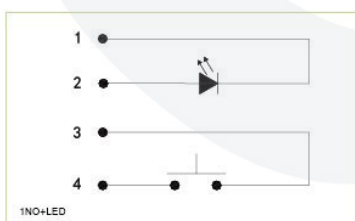
3.Cutout Dimension



4.Installation Solution



5.Electric Principle



6.Performance Parameter

1	Operation Distance : 0.3~0.7mm
2	Operation Pressure : 2.5~5N
3	Maximum Distance : 0.7~1mm
4	Life-span : ≥one million
5	Rated Current : 12±3mA
6	Rated Voltage : DC24V
7	For the thickness of the panel : Play fresh BXG311
8	LED Colour : <input type="checkbox"/> <input type="checkbox"/> <input type="checkbox"/> <input type="checkbox"/> <input type="checkbox"/> <input type="checkbox"/>